

peachtree audio mB³

mB³ Loudspeaker Introduction

Congratulations on your purchase of the Peachtree Audio mB³ loudspeaker. These speakers may look small and cute but they are capable of a big sonic soundstage. The three inch driver is a special wide-bandwidth design that ensures excellent bass response and treble extension beyond 14Khz. The cabinet construction is MDF covered in a high quality gloss black finish..

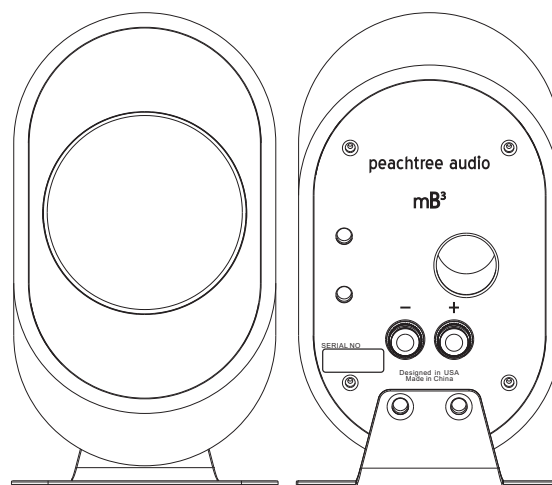
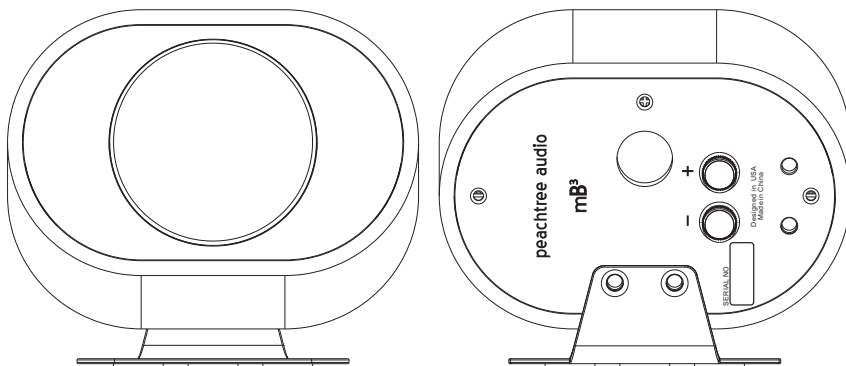
The mB³ will provide outstanding performance and years of listening enjoyment.

Hookup is simple.

The positive(+) speaker wire from your amplifier attaches to the positive terminal on the mB³. Positive terminals are almost always color coded RED. The negative(-) speaker wire from your amplifier attaches to the negative terminal on the mB³. Negative terminals are almost always color coded BLACK.

Speaker Stands

The supplied stands for the mB³ are designed to allow horizontal and vertical mounting.. Use the threaded inserts right below the speaker terminals for vertical mounting. Use the threaded inserts close to the serial number for horizontal mounting.



Guarantee and Service

Peachtree Audio loudspeakers are guaranteed for a period of 5 years from the date of original purchase against manufacturing defects. Signal Path accepts no responsibility for defects arising from accident, abuse, wear and tear, modification or operation outside of specifications.

No warranty card is necessary. Your sales receipt from an authorized dealer will satisfy our requirements for warranty replacement parts. You may also register online at:

Website: www.signalpathint.com

Defective equipment

All speakers should be returned in its original packaging to the supplier, dealer, or the Signal Path service center. A local dealer can handle most speaker repair.

Peachtree Audio will not accept responsibility for damage or loss occurring during transit to or from the parties claiming under this guarantee.

In the unlikely event that you have a problem with any Peachtree Audio speaker, please call for return authorization number before returning products for service. Any speaker received without an RA number will be refused.

Contact and Support Information

Signal Path International
2045 120th Ave. NE
Bellevue, WA 98005
Tel: 704-391-9337
Fax: 704-391-9338

peachtree audio mB³

